



Feature

1. Superior operational feeling free from gaps in operating directions
Ideal for finger-tip operation.
2. Integrated tact switch for selection contributes to the improvement of user-friendliness of the set.
3. Long Life Type Available.

FJM10K Series Joystick Potentiometer

Electrical characteristics

- Total Resistance.....5K Ω ~100K Ω
- Total Resistance Tolerance..... $\pm 20\%$
- Resistance Taper.....B taper
- Rated Power.....Taper B:0.0125W
- Withstand Voltage.....1 minute at AC 250V
- Insulation Resistance.....More than 100M Ω at DC 250V for 1 minute
- Max. Operating Voltage.....Taper B:AC 50V or DC 5.0V

Mechanical characteristics

- Figure of Lever Operation.....Circular Operating
- Stopper Strength3.1Kgf.cm Min 3Sec.
- Operating Angle of Lever..... $55^\circ \pm 6^\circ$
- Push-Pull Strength.....Push/Pull:5.0Kgf Min 3Sec.
- Operating Force.....110 \pm 40gf.cm
- Accuracy of Rest Position..... $\pm 5^\circ$

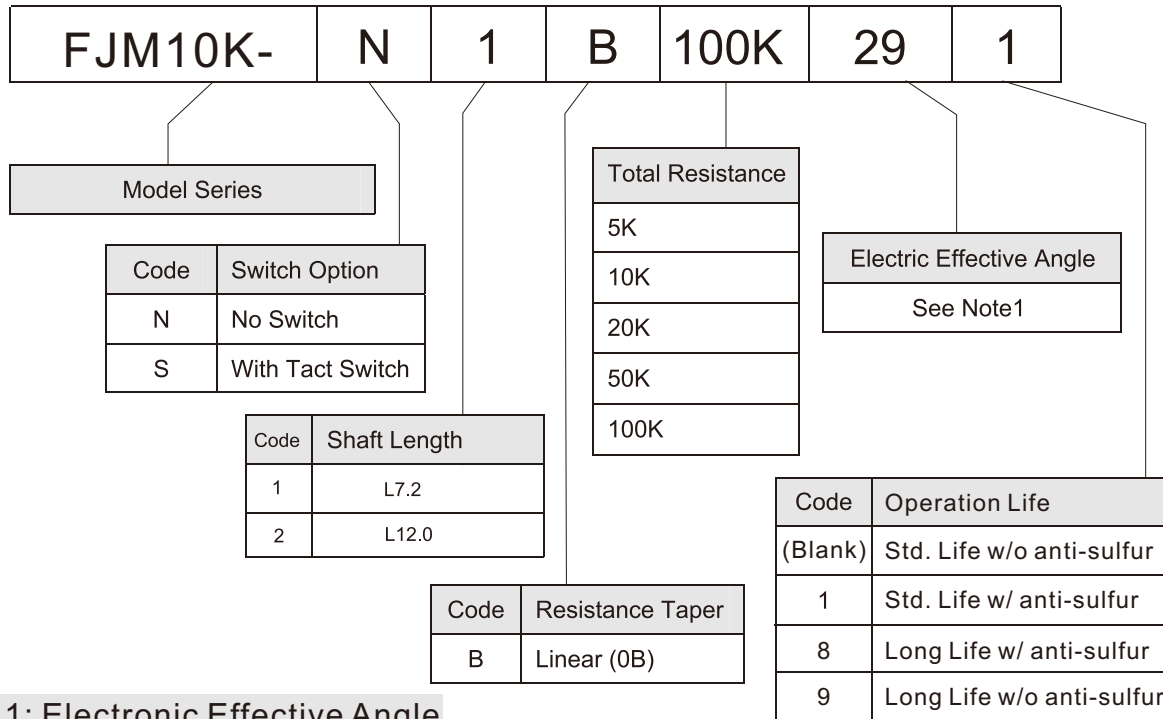
Durability

- Operating Life.....Standard Life: 1Million Cycles min
Long Life: 2 Million Cycles min
- Operating Temperature Range.....-10 $^\circ$ C ~ +70 $^\circ$ C

Tact Switch specification

- Ratings.....12 V DC, 50 mA
- Operating Force.....820 \pm 260gf
- Travel.....0.5+0.5/-0.4mm
- Operating Life.....100,000 Cycles min

HOW TO ORDER



Note 1: Electronic Effective Angle

ANGLE		Code	ANGLE		Code		ANGLE		Code	
A	B		A	B			A			
45°	3°	01	32°	4°	14		30°	A0		
50°	6°	02	38°	8°	15		32°	A2		
40°	6°	03	76°	8°	16		35°	A5		
60°	6°	04	45°	8°	18		38°	A8		
45°	6°	05	25°	6°	21		40°	B0		
38°	6°	06					45°	B5		
35°	6°	07					50°	C0		
32°	6°	08					60°	D0		
30°	6°	09								
ANGLE		Code	ANGLE		Code					
A	C		A	C						
45°	6°	11								
38°	9°	12								
45°	9°	13								
54°	6°	23								

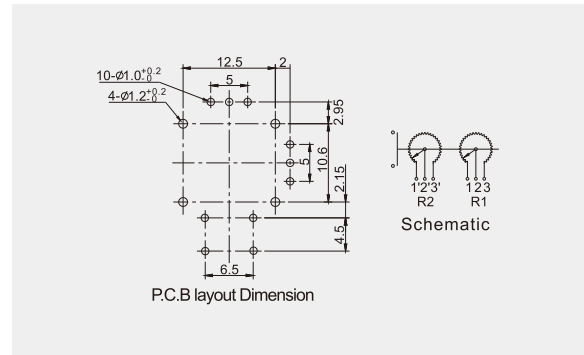
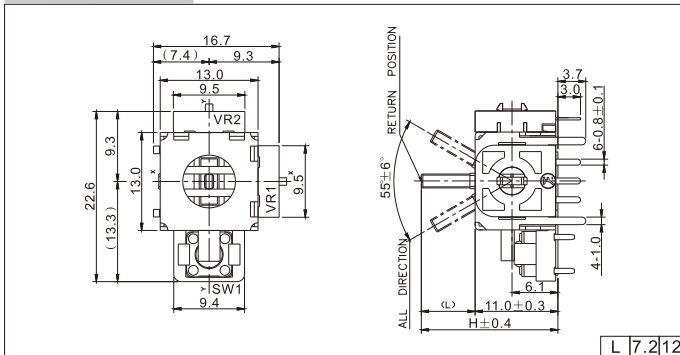
碳膜层
(Carbon)

硫化层
(Anti-Sulfurated)

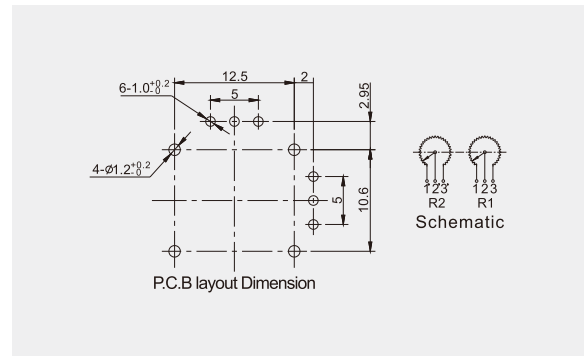
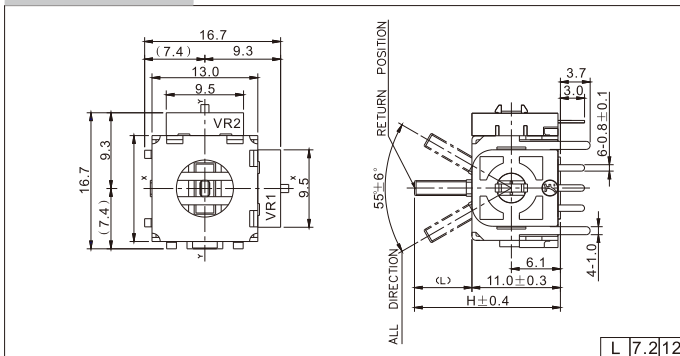
银层
(Silver)

低碳层
(Low Resistance)

FJM10K-S Metal Shaft with Tact Switch, PC Pins



FJM10K-N Metal Shaft, No Switch, PC Pins



joystick