

Long Life Potentiometers

高寿命ポテンシヨメータ

FEATURES

- Ultra-long Life Potentiometer developed for game machines.
- Excellent smooth operation low torque.
- Conform RoHS

特長

- ゲーム機器用に設計された高寿命可変抵抗器です。
- 操作性に優れた軽トルク仕様です。
- RoHS適合品です。

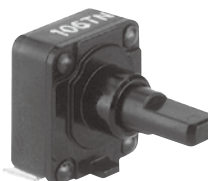
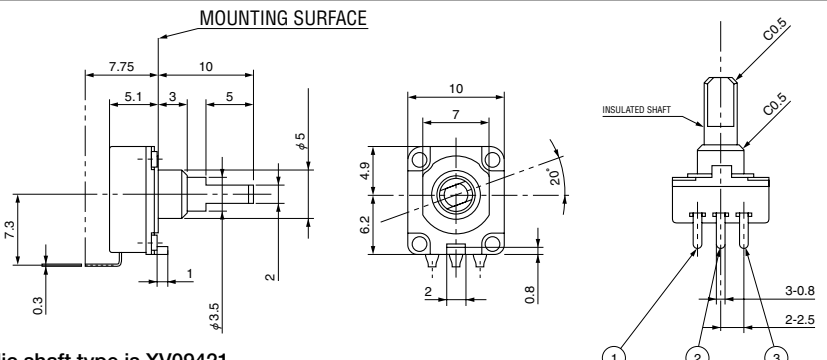

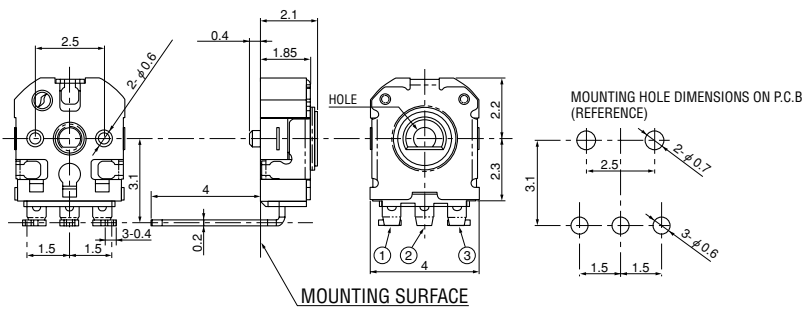

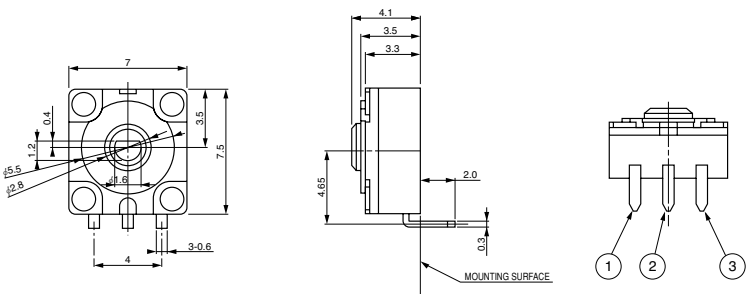
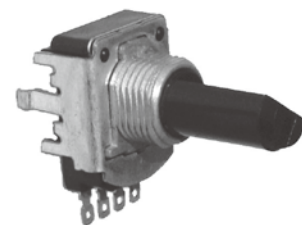
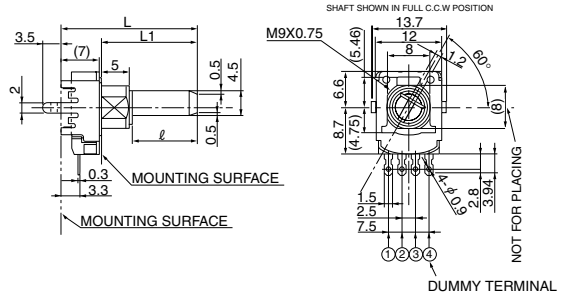
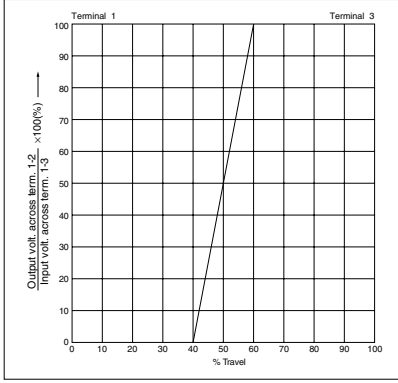
APPLICATIONS

- Controllers for Video Game.
- Position Sensors for Personal robot.

用途

- ゲーム機器などの操作部。
- パーソナルロボットなどの関節部位置センサー。

DIMENSIONS 外形寸法

Order Number	Dimensions	Unit:mm												
<p><b>XV09411N10FF-0B5K</b></p> <p>(Insulated Shaft)</p>  <p>①</p>	 <p>※Metallic shaft type is XV09421.</p>													
<p><b>XV04N2.1F-0B5K</b></p> <p>(Shaft of hollow type)</p>  <p>②</p>														
<p><b>XV0711PVNSL-0B5K</b></p> <p>(Shaft of hollow type)</p>  <p>③</p>														
<p><b>XVB12111YNRN25F-911Z10K</b></p> <p>(Lead wiring terminal) (With Bushing)</p>  <p>④</p>	 <table border="1"> <thead> <tr> <th>Shaft length</th> <th>L</th> <th>L1</th> <th>ℓ</th> </tr> </thead> <tbody> <tr> <td>20F</td> <td>20</td> <td>12.5</td> <td>7</td> </tr> <tr> <td>25F</td> <td>25</td> <td>17.5</td> <td>12</td> </tr> </tbody> </table>	Shaft length	L	L1	ℓ	20F	20	12.5	7	25F	25	17.5	12	<p><b>Resistance Taper (911Z)</b></p> 
Shaft length	L	L1	ℓ											
20F	20	12.5	7											
25F	25	17.5	12											


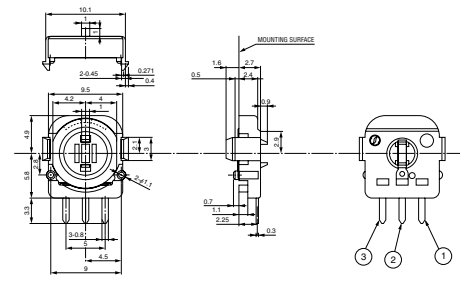
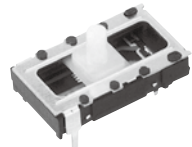
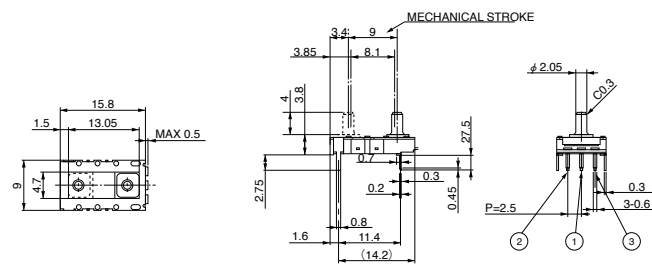

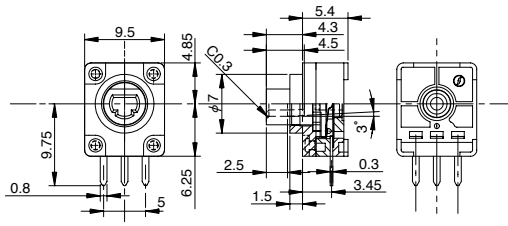
●Specifications in this catalog are presented basically for informative purposes.

We request the exchange of official approval drawings before placing order.

●当カタログは参考仕様ですので、ご使用にあたっては正式納入仕様書の取り交わしをお願いします。

Long Life Potentiometers

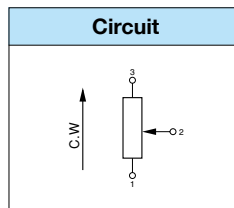
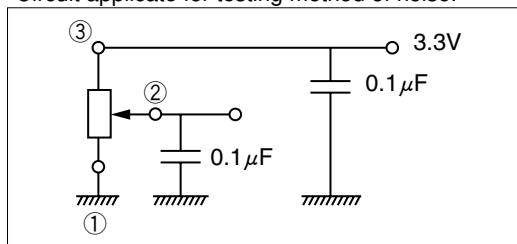
高寿命ポテンシヨメータ

XV09912PHNSL-0B30K (Shaft of hollow type)	 
XVJ09-4R-0B30K (Slide Type)	 
XV09914NPH7.75F0B10K	 

SPECIFICATIONS 仕様

	① XV09411 (XV09421)	② XV04	③ XV0711	④ XVB12111	⑤ XV09912	⑥ XVJ09	⑦ XV09914
Operating Temperature Range 使用温度範囲	-10 to 70°C	-10 to 70°C	-10 to 70°C	-10 to 70°C	-10 to 70°C	-10 to 70°C	-10 to 70°C
Rated Power 定格電力	0.05W	0.01W	0.01W	0.05W	0.0125W	0.05W	0.01W
Maximum Operating Voltage 最高使用電圧	DC6V	DC5V	AC5V,DC5V	AC50V,DC20V	DC5V	DC5V	DC5V/AC50V
Nominal Total Resistance 公称全抵抗値	5kΩ	5kΩ	5kΩ	10kΩ	30kΩ	30kΩ	10kΩ
Total Resistance Tolerance 全抵抗値許容差	Within ±20% of the nominal total resistance				Within ±30% of the nominal total resistance		
Resistance Taper 抵抗変化特性	0B	0B	0B	911Z (Linear Taper)	0B	0B	0B
Insulation Resistance 絶縁抵抗	100MΩ at DC100V	100MΩ at DC100V	100MΩ at DC100V	100MΩ at DC250V	100MΩ at DC100V	100MΩ at DC100V	100MΩ at DC100V
Dielectric Strength 耐電圧	AC100V	AC100V	AC100V	AC250V	AC100V	AC100V	AC100V
Total Rotational Angle or Travel 全回転角度、操作距離	220±5° (260±5° is option)	Endless (effective rotational angle 280°)	Endless (effective rotational angle 280°)	300±5° (Electrical operating 60°)	70±5° (effective rotational angle 64°)	9±0.5mm	45±5° (effective rotational angle 34.5±3°)
Rotational Torque or Operating Force 回転トルク、作動力	3mN.m max.	2mN.m max.	5mN.m max.	6mN.m max.	0.5+1/-0.4mN.m	0.5N max.	5mN.m max.
Rotational Stop Strength of the Shaft or Slide Stop Strength of the Lever シャフトの回転止め強さ しゅう動止め強さ	100mN.m	-	-	0.5 N.m	50mN.m	10N	50mN.m
Endurance (Sliding)* 耐久性 (しゅう動)	1,000,000 cycles	300,000 cycles	500,000 cycles	300,000 cycles	5,000,000 cycles	3,000,000 cycles	5,000,000 cycles

\*Circuit applicate for testing method of noise.



- Specifications in this catalog are presented basically for informative purposes. We request the exchange of official approval drawings before placing order.
- 当カタログは参考仕様ですので、ご使用にあたっては正式納入仕様書の取り交わしをお願いします。